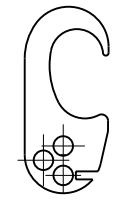
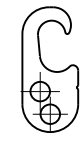
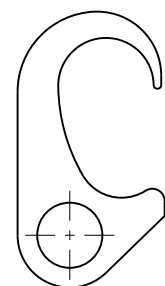
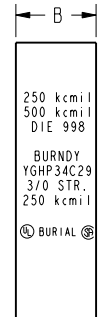


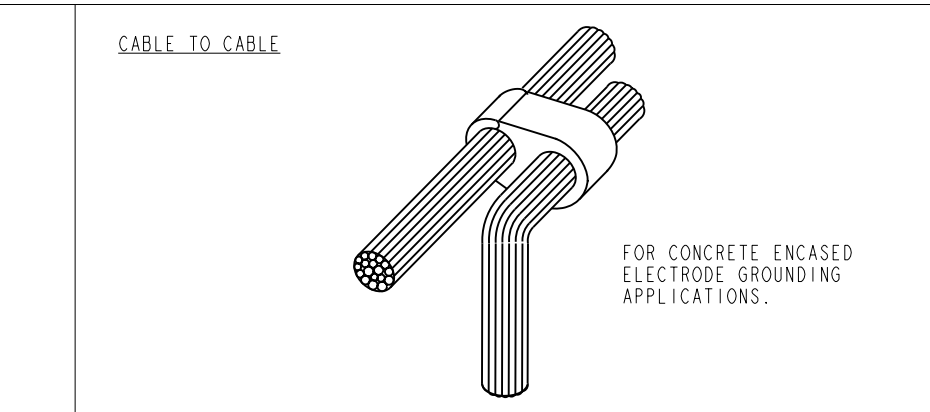
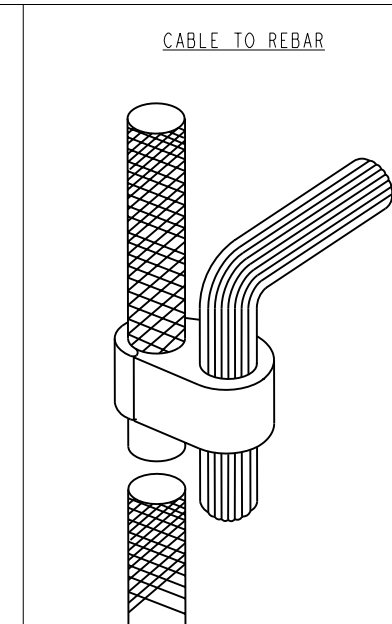
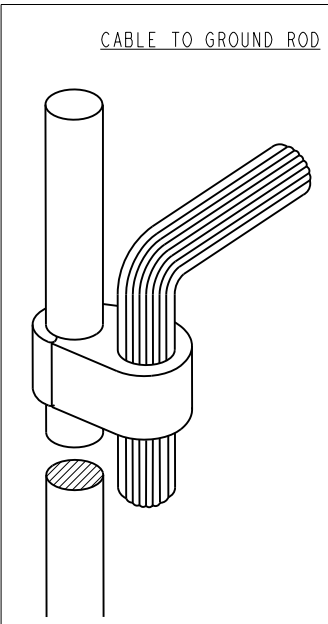
CATALOG NUMBER	FIG. NO.	COMMERCIAL COPPER CABLE RANGE		METRIC COPPER CABLE RANGE		CABLE TO REBAR		B	DIE INDEX NO.	INSTALLATION DATA			
		RUN	TAP	RUN	TAP	RUN	TAP			Y750/Y35 Y39 HYPRESS™	Y45 HYPRESS™	Y46 HYPRESS™	NO. OF CRIMPS
YGHP2C2	1	#6 SOL. (Ø.162)-#2 STR. (Ø.292)	#6 SOL. (Ø.162)-#2 STR. (Ø.292)	10mm² (4.1mm DIA) - 35mm² (7.6mm DIA)	10mm² (4.1mm DIA) - 35mm² (7.6mm DIA)	----	-----	0	U0	U0	U0	1	
YGHP2C6W6W	3		#8 SOL. (Ø.128)-6 STR. (Ø.184) QTY. 2	8mm² (3.3mm DIA) - 13mm² (4.8mm DIA) QTY. 2	8mm² (3.3mm DIA) - 13mm² (4.8mm DIA) QTY. 2	----	-----						
YGHP29C6W6W	2	1/0 STR. (Ø.372)-250 kcmil (Ø.575) 1/2"-5/8" ROD	#8 SOL. (Ø.128)-6 STR. (Ø.184) QTY. 2	50mm² (9.4mm DIA) - 120mm² (14.4mm DIA) [12.7 - 15.9 ROD]	8mm² (3.3mm DIA) - 13mm² (4.8mm DIA) QTY. 2	#3 REBAR 3/8	#8 SOL.-6 STR.	.75 [19]	997	U997	U997	U997	1
YGHP29C6W6W	4		#8 SOL. (Ø.128)-6 STR. (Ø.184) QTY. 3		8mm² (3.3mm DIA) - 13mm² (4.8mm DIA) QTY. 3		#8 SOL.-6 STR.						
YGHP29C2	1		#4 SOL. (Ø.204)-#2 STR. (Ø.292)		20mm² (5.2mm DIA) - 35mm² (7.6mm DIA)		#2 STR.						
YGHP29C26	1		1/0 STR. (Ø.372)-2/0 STR. (Ø.419)		50mm² (9.4mm DIA) - 70mm² (10.9mm DIA)		1/0 STR.-2/0 STR.						
YGHP29C29	5	3/0 STR. (Ø.470)-250 kcmil (Ø.575)	3/0 STR. (Ø.470)-250 kcmil (Ø.575)	85mm² (11.9mm DIA) - 120mm² (14.4mm DIA)	#4 REBAR 1/2	3/0 STR.-250 kcmil							
YGHP34C2	9	250 kcmil (Ø.575)-500 kcmil (Ø.813) 5/8"-3/4" ROD	#4 SOL. (Ø.204)-#2 STR. (Ø.292)	120mm² (14.4mm DIA) - 240mm² (20.4mm DIA) [15.9 - 19.1 ROD]	20mm² (5.2mm DIA) - 35mm² (7.6mm DIA)	#5 REBAR 5/8	-----	998	PU998	PU998 OR S998	PU998 OR P998	1	
YGHP34C26	9		1/0 STR. (Ø.372)-2/0 STR. (Ø.419)		50mm² (9.4mm DIA) - 70mm² (10.9mm DIA)		1/0 STR.-2/0 STR.						
YGHP34C29	9		3/0 STR. (Ø.470)-250 kcmil (Ø.575)		85mm² (11.9mm DIA) - 120mm² (14.4mm DIA)		3/0 STR.-250 kcmil						
YGHP34C34	9		350 kcmil (Ø.681)-500 kcmil (Ø.813)		185mm² (17.5mm DIA) - 240mm² (20.4mm DIA)		350 kcmil-500 kcmil						



PRECRIMP DIE CHART		
GROUND ROD DIA.	PRECRIMP DIES	
1/2" [12.7]	UPRECRIMP 12	U2CABT
5/8" [15.9]	UPRECRIMP 58	
3/4" [19.1]	UPRECRIMP 34	

FOR INCREASED ROTATIONAL RESISTANCE ON GROUND RODS, PRE-CRIMP GROUND ROD WITH U2CABT DIE INDEX 348 OR UPRECRIMP DIES MAY BE USED FOR EVEN GREATER ROTATION AND VIBRATION RESISTANCE ON GROUND RODS.

- NOTES:
- MATERIAL: COPPER
 - GROOVES ARE PREFILLED WITH PENETROX® "E" AND INDIVIDUALLY SEALED.
 - ALL DIMENSIONS IN BRACKETS [] ARE IN MILLIMETERS.
 - WHEN USING #6 SOL. IN TAP, FOLD CONDUCTOR DOUBLE TO IMPROVE FILL IN YGHP2C2.
 - FOR YGHP29C29 WHEN USING 3/0 IN TAP, MINIMUM RUN CONDUCTOR IS 2/0 STR.
 - WHERE A "U" OR "PU" DIE IS RECOMMENDED WITH THE Y45 HYPRESS™, A PT6515 ADAPTER MUST BE USED.
 - WHERE A "U" OR "PU" DIE IS RECOMMENDED WITH THE Y46 HYPRESS™, A P-UADP-1 ADAPTER MUST BE USED.
 - CLEAN RUST AND PROTECTIVE COATINGS FROM REBAR BEFORE CONNECTOR INSTALLATION TO PROVIDE A PROPER GROUND CONNECTION. PRECRIMPING IS NOT REQUIRED.
 - THESE CONNECTORS CAN ONLY BE INSTALLED USING THE Y750, Y45 OR Y46 HYPRESS™ WITH THE RECOMMENDED DIES. THESE CONNECTORS CAN NOT BE INSTALLED WITH THE Y35 AND Y39 HYPRESS™.
 - SUITABLE FOR DIRECT BURIAL IN EARTH OR CONCRETE.
 - UL467 LISTED AND UNDER UL486A FOR COPPER WIRE CONNECTORS.
 - THIS CONNECTOR IS NOT UL LISTED
 - TN CATALOG NUMBER INDICATES THAT CONNECTOR IS ELECTRO-TIN PLATED. GROOVES ARE FILLED WITH PENETROX® GIZA.
 - THESE CATALOG NOS. ARE LISTED TO CSA22.2 NO.41 GROUNDING AND BONDING EQUIPMENTS STANDARDS.



REFERENCE: SC086166

TO ORDER BURNDY® PRL		CONNECTOR, COMPRESSION GROUND TAP	
ITEM NO:	N/A	DRAWING NO	
CAT. NO:	YGHP-C- (TABLE)	SD082473-01	REV
DRAWN BY:	C. RACANO	11/01/78	C
CHECKER:	CAR	11/01/78	
DSN APPVL:	G. PECORA	09/08/92	
MFG APPVL:	N/A	--	
QA APPVL:	A. LLOYD	09/01/92	
MKT APPVL:	T. NELSON	09/10/92	
PROD FAM:	Compression Grounding	SCALE:	1:4
PROJECT #:	--	SIZE	D
DOCUMENT TYPE:	Sales	SHEET 1 OF 1	
REL LEVEL:	Released		

REV	DATE	DESCRIPTION	ECO	BY	C'H'K.
C	05/14/2015 00:00:00 AM	CSA NOTE # 14 ADDED	40263	RG	BT

REV: PE0200